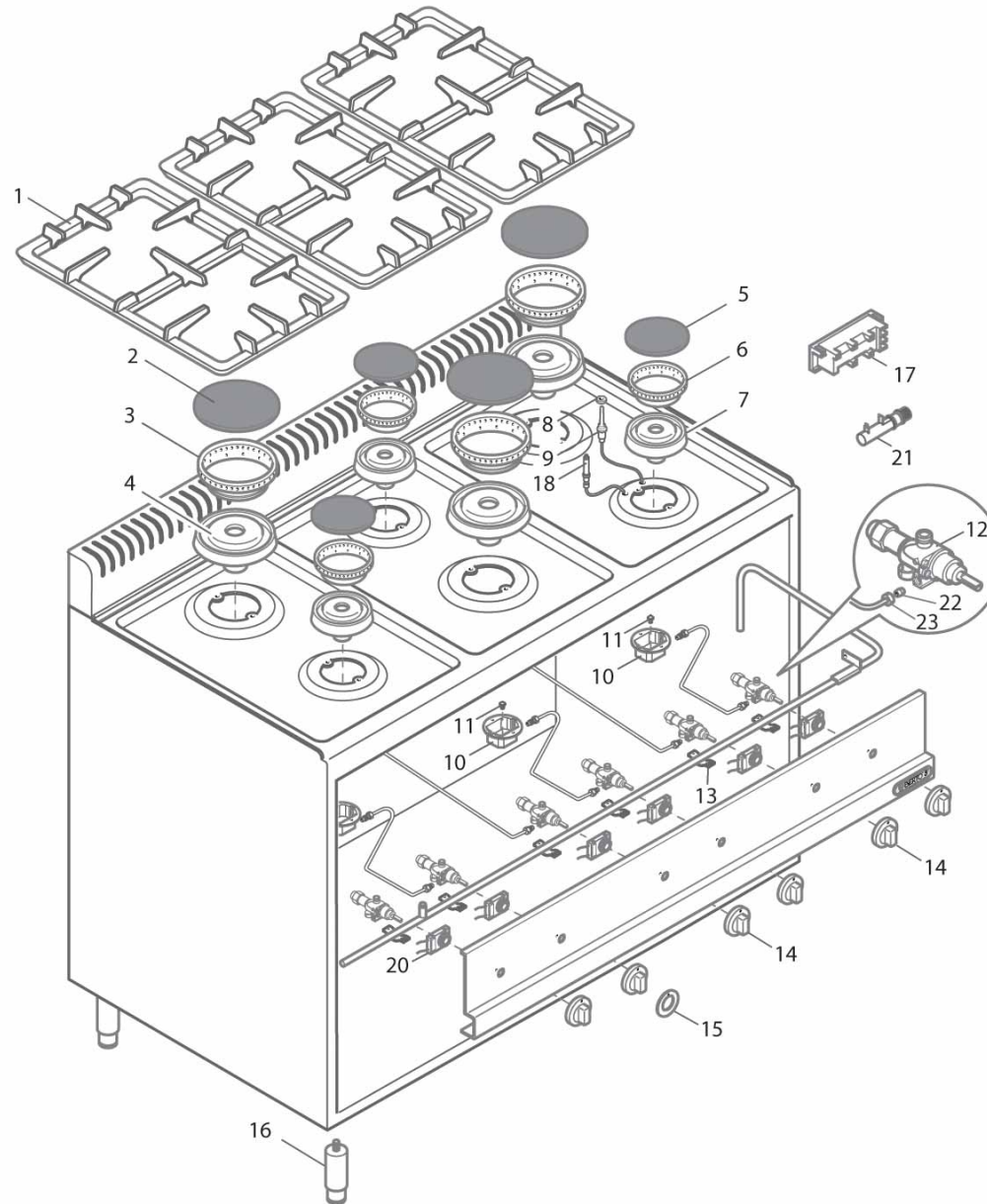




G6F2M





G6F2M

| Pos. Item | Codice Code | Descrizione | Item Description | Designation articles | Artikelbeschreibung | Decripción artículos | N° pezzi - No. pieces | | | | | |
|-----------|-------------|-------------------------------------|--------------------------------------|---------------------------------------|------------------------------------|------------------------------------|-----------------------|--|--|--|--|---|
| | | | | | | | | | | | | |
| 1 | 36856700 | Griglia nero 2f s.600 | Enamelled grill | Grille ÉmailÉe | Emaillierter rost | Parrilla esmaltada | | | | | | 1 |
| 2 | 31281300 | Coperc.bruc.ev.ult.rapido. | Burner cover | Couvercle bruleur | Deckel brenner | Tapa quemador | | | | | | 1 |
| 3 | 31280600 | Anello spar.bruc.ev.ultra rap. | Burner flame divider ring | Couronne bruleur | Flamm. brenner | Aro repart. quemador | | | | | | 1 |
| 4 | 31280500 | Supp.bruc.evoluz. ultra rapido | Burner support | Support bruleur | Brennerhalter | Soporte quemador | | | | | | 1 |
| 5 | 31281000 | Coperchio bruc.ev.rapido | Burner cover | Couvercle bruleur | Deckel brenner | Tapa quemador | | | | | | 1 |
| 6 | 31280300 | Anello spar.bruc.evoluz.rapido | Burner flame divider ring | Couronne bruleur | Flamm.brenner | Aro repart. quemador | | | | | | 1 |
| 7 | 31280200 | Supp. bruciat. evoluz. rapido | Burner support evol. | Support bruleur evol. | Brennerhalter evol. | Soporte quemador evol. | | | | | | 1 |
| 8 | 31807600 | Dado x termocoppia e 0814 | Nut for thermocouple | Ecrou pour thermocouple | Mutter fur thermoelement | Tuerca para termpar | | | | | | 2 |
| 9 | 31289200 | Termocoppia 750 mm cucina e | Thermocouple 750mm | Thermocouple 750mm | Thermoemnt 750mm | Termopar 750mm | | | | | | 2 |
| 10 | 31280100 | Coppaxiniettore bruc.evoluz. | Housing for injecteur | Bloc pour injecteur | Becher fur einspritzduse | Copa para injector | | | | | | 2 |
| 11 | 40000000 | Ugello: indicare modello e tipo gas | Injector: specify model and gas type | Gliceur: spe. modele et genre de gas | Duese: modell und gas-typ zeigen | Tobera: pre. modelo y tipo de gas | | | | | | 1 |
| 12 | 31275000 | Rub. x nuova microcat. by-pass 52 | Tap by-pass 52 | Robinet by-pass 52 | Hahn by-pass 52 | Llave de paso by-pass 52 | | | | | | 2 |
| 13 | 22966200 | Briglia fissaggio rubinetto | Fixing tap clamp | Bride de fixation robinet | Bugel fur hahnbefestigung | Fiador ajuste llave de paso | | | | | | 2 |
| 14 | 35877000 | Man. rossa p.8x6,5 a 0° ral3000 | Red knob p.8x6,5 0° ral3000 | Manette rouge p.8x6,5 a 0° ral3000 | Drehknopf p.8x6,5 a 0° ral3000 | Mando rojo p.8x6,5 a 0° ral3000 | | | | | | 2 |
| 14 | 35875800 | Manopola rossa p. 8x6,5 a 0° | Red knob 8x6,5 0° | Manette rouge 8x6,5 0° | Drehknopf 8x6,5 0° | Mando rojo 8x6,5 0° | | | | | | 2 |
| 15 | 31952000 | Serig.rossa manop.gas evoluz. | Red gas knob serigraphy | Serigraphie manette rouge | Drehknopfserigraphie | Serigrafia mando rojo | | | | | | 2 |
| 16 | 24684200 | Piedino inox 1 1/2 h-125/175 | Foot 1 1/2 h-125/175 | Pied 1 1/2 h-125/175 | Fuss 1 1/2 h-125/175 | Pata 1 1/2 h-125/175 | | | | | | 4 |
| 17 | 31002400 | Acc. elet. cand. cucine 6f e | Electric lighter 6f e | Allumeur electric 6f e | Elektro zund. 6f e | Encendido electr. 6f e | | | | | | - |
| 17 | 31002200 | Acc. elet. cand. cucine 4f e | Electric lighter 4f e | Allumeur electric 4f e | Elektro zund. 4f e | Encendido electr. 4f e | | | | | | - |
| 17 | 31002000 | Acc. elet. cand. cucine 2f e | Electric lighter 2f e | Allumeur electric 2f e | Elektro zund. 2f e | Encendido electr. 2f e | | | | | | - |
| 18 | 31187800 | Candel.acc.cuc.el=600 molla | Ignition plug electr. cookers | Bougie d'allumage fourneaux electr. | Zundkerze el=60 | Bujia de encendido cocinas electr. | | | | | | 2 |
| 19 | 31189700 | Cavetto accensione cucine ev. | Ignition wire for evol. cookers | Cable allumage pour cuisines evol. | Zundkabel evoluzione herde | Cable encendido por cocinas evol. | | | | | | - |
| 20 | 31877600 | Microcaten. 4f cuc. e nuova | Cat. microswitch 6ring cookers - new | Micro-interrupteur 6f cuis. - nouveau | Mikroschalter 4f kochmulden - neue | Micro catenaria 4f cocinas - nueva | | | | | | - |
| 20 | 31877300 | Microcaten. 2f cuc. e | Catenary microswitch 2ring cookers | Micro-interrupteur 2f cuisinieres | Mikroschalter 2f kochmulden | Micro catenaria 2f cocinas | | | | | | - |
| 20 | 31877800 | Microcaten. 6f cuc. e | Catenary microswitch 6ring cookers | Micro-interrupteur 6f cuisiniÉres | Mikroschalter 6f kochmulden | Micro catenaria 6f cocinas | | | | | | - |
| 21 | 31915000 | Portapila x accens. cucine e | Battery holder | Porte-pile | Batterienhalter | Portapila | | | | | | - |