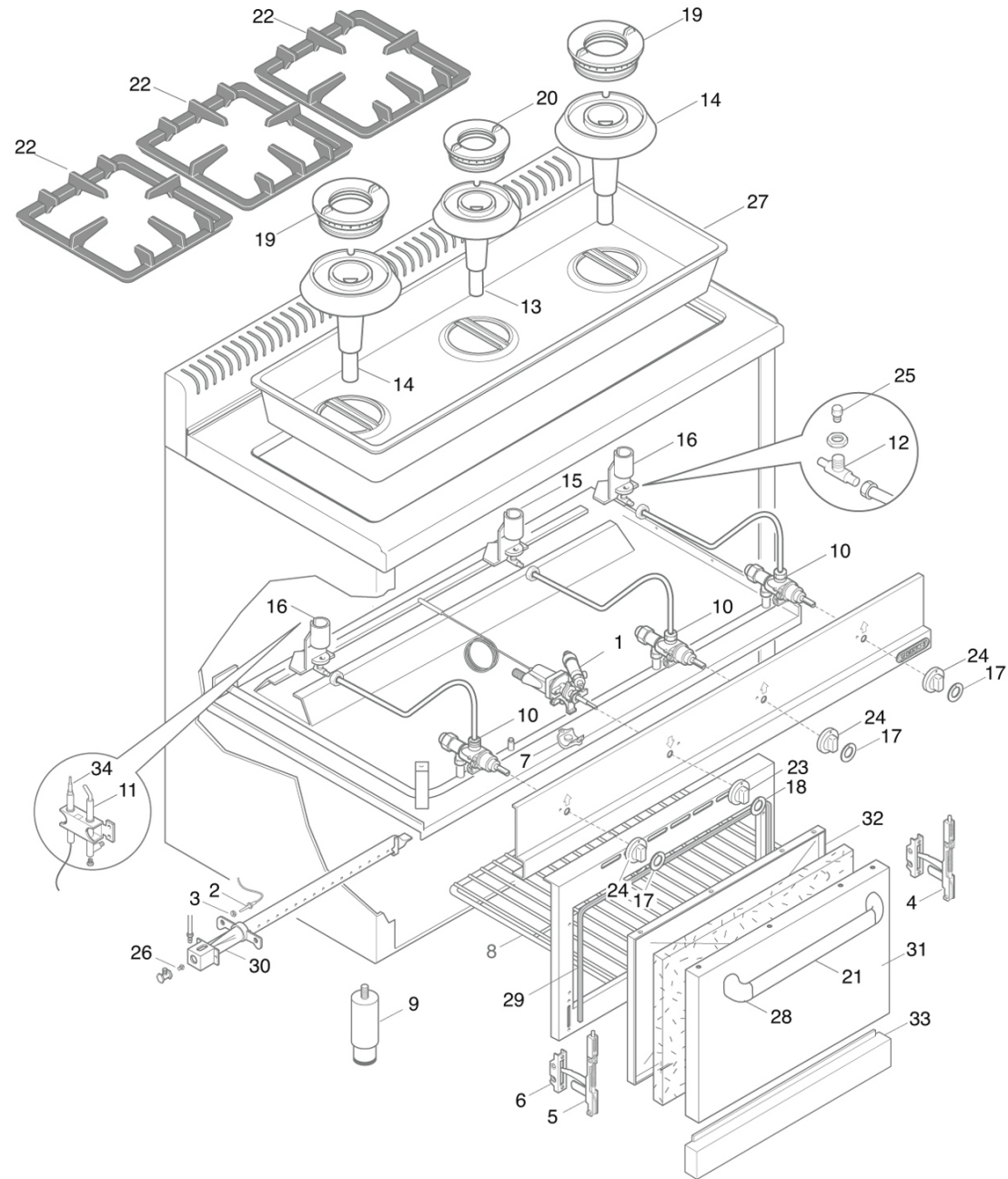




G6F3H12+FG1





G6F3H12+FG1

Pos. Item	Codice Code	Descrizione	Item Description	Designation articles	Artikelbeschreibung	Decripción articulos	N° pezzi - No. piezas				
											G6F3H12+FG1
1	22274000	Rubinetto forno by-pass 0.52	Oven tap by-pass 0.52	Robinet four by-pass 0.52	Hahn fur backofen by-pass 0.52	Llave de paso horno					1
2	22287500	Termocoppia x fg1	Oventhermocouple	Thermocouple four	Thermoement backofen	Termopar horno					1
3	40000000	Ugello: indicare modello e tipo gas	Injector: specify model and gas type	Gliceur: spe. modele et genre de gas	Duese: modell und gas-typ zeigen	Tobera: pre. modelo y tipo de gas					1
4	22608100	Cerniera dx x fe1/fg1 fcd8-fsd	Right hinge	Charniere droite	Scharnier rechts	Bisagra derecha					1
5	22607800	Cerniera sx x fe1/fg1 fcd8-fsd8	Left hinge	Charniere gauche	Scharnier links	Bisagra izquierda					1
6	22608200	Cern.fissa portarullino fe1fg1	Fixed hinge	Charniere fixe	Festes scharnier	Bisagra fija					2
7	22966200	Briglia fissaggio rubinetto	Fixing tap clamp	Bride de fixation robinet	Bugel fur hahnbefestigung	Fiador ajuste llave de paso					1
8	23848200	Grc 1/1- gr. forno 1/1 gn cuc. s.600	Grill 1/1 gn	Grille 1/1 gn	Rosteinheit 1/1 gn	Parrilla 1/1 gn					1
9	24684200	Piedino inox 1 1/2 h-125/175	Foot 1 1/2 h-125/175	Pied 1 1/2 h-125/175	Fuss 1 1/2 h-125/175	Pata 1 1/2 h-125/175					4
10	31273600	Rubinetto pel21s;9x1;bypas 55	Tap pel 21s;9x1;bypas 55	Robinet pel 21s;9x1;bypas 55	Hahn pel 21s;9x1;bypas 55	Llave de paso pel 21s;9x1;bypas 55					3
11	31291300	Pilota cuc.700 (2 posiz.)	Cooker pilot (2 posit.)	Veilleuse forneau (2 posit.)	Herd zundflamme	Piloto cocina (2 posit.)					3
12	32327600	Portaugello gl-plg-cpg-cucine	Injector holder	Support injecteur	Dusenhalter	Soporte de tobera					3
13	31807000	Corpo bruc.d 6kw cromato	Chromium-plated burner body 6kw	Corps bruleur chrome 6kw	Brenner koerper 6kw verchromt	Cuerpo quemador cromado 6kw					1
14	35807000	Corpo bruciat. cromato 9kw	9kw burner body	Corps bruleur 9kw	Korper brenner 9kw	Cuerpo quemador 9kw					2
15	31913600	Supp. bruciatore c/d cucina	Burner support	Support bruleur	Brennerhalter	Soporte quemador					1
16	35913600	Supp. bruc. e 9kw cucina	9kw burner support	Support bruleur 9kw	Brennerhalter 9kw	Soporte quemador 9kw					2
17	31952200	Serig.rossa manop.gas plg-cpg-	Red gas knob serigraphy	Serigraphie rouge manette	Rote drehknopfserigraphie	Serigrafia roja mando					3
18	31952400	Ser.rossa manop.forno gas fg1	Red gas knob serigraphy	Serigraphie rouge manette	Rote drehknopfserigraphie	Serigrafia roja mando					1
19	35954300	Spartif.bruc.e 9kw cromato	9kw burner cap	Chapeau bruleur 9kw	Flammenkranz brenner 9kw	Sombrerete quemador 9kw					2
20	31954300	Spartif.bruc.d 6kw cromato	6kw burner cap	Chapeau bruleur 6kw	Flammenkranz 6kw	Sombrerete 6kw					1
21	31874000	Maniglia sez.ovale aisi 304 425 x 41	Handle aisi 304 425 x 41	Poignee aisi 304 425 x 41	Griffe aisi 304 425 x 41	Asa aisi 304 425 x 41					1
22	36857200	Griglia l.1200 g6f3h12 fe cr s.600	Chromium-plated grill l.1200 600 r.	Gr. chromee l.1200 g6f3h12 s.600	Rost br.1200 g6f3h12 fe ver. s.600	Par. l.1200 g6f3h12 cromada s.600					1
22	35856500	Griglia rough nero 900	Black rough grill	Grille rough noire	rough rost	Parrilla negra rough					3
23	35876300	Manopola rossa p. 6x4,6 a 180°	Red knob 6x4,6 180° c	Manette rouge 6x4,6 180° c	Drehknopf 6x4,6 180° c	Mando rojo 6x4,6 180° c					1
23	35877200	Man. rossa p. 6x4.6 a o° ral3000	Red knob p. 6x4.6 a o° ral3000	Ma. rouge p. 6x4.6 a o° ral3000	Drehknopf p. 6x4.6 a o° ral3000	Mando rojo p. 6x4.6 a o° ral3000					1
24	35876100	Manopola rossa p. 8x6,5 a 180°	Red knob 8x6,5 180°	Manette rouge 8x6,5 180°	Drehknopf 8x6,5 180°	Mando rojo 8x6,5 180°					3
24	35877100	Man. rossa p. 8x6,5 a 180°ral3000	Red knob p. 8x6,5 a 180°ral3000	Ma. rouge p. 8x6,5 a 180°ral3000	Drehknopf p. 8x6,5 a 180°ral3000	Mando rojo p. 8x6,5 a 180°ral3000					3
24	38877100	Manopola pa66 p.6x4.6 a '90"	Knob pa66 p.6x4.6 a '90"	Manette pa66 p.6x4.6 a '90"	Drehknopf pa66 p.6x4.6 a '90"	Mando pa66 p.6x4.6 a '90"					3
25	40000000	Ugello: indicare modello e tipo gas	Injector: specify model and gas type	Gliceur: spe. modele et genre de gas	Duese: modell und gas-typ zeigen	Tobera: pre. modelo y tipo de gas					3
26	40000000	Ugello: indicare modello e tipo gas	Injector: specify model and gas type	Gliceur: spe. modele et genre de gas	Duese: modell und gas-typ zeigen	Tobera: pre. modelo y tipo de gas					1
27	36779000	Bacinella smalt.cuc.1200 3f s.600	Bacinella smalt.cuc.1200 3f s.600	Bacinella smalt.cuc.1200 3f s.600	Bacinella smalt.cuc.1200 3f s.600	Bacinella smalt.cuc.1200 3f s.600					1
28	31979200	Terminale rosso plastica term	Red plastic terminal	Cosse rouge plastique therm.	Roter thermo-kunststoffverschluss	Terminal rojo plastico					2
28	31979000	Terminale crom.lucido plastica term	Chromium-plated terminal	Terminal chromE poli	Verchromte grifendverschluss	Terminal cromado lustroso					2
29	22594300	Guarnizione forno fg1/fe1 s.600	Oven seal fg1-fe1 600 r.	Joint four fg1-fe1 600 r.	Dichtung backofen fg1-fe1 600 r.	Empaquetadura horno fg1-fe1 600 r.					1
30	36275300	Ass. bruc. 2.7 kw fg 1/1 gn s.600	2.7 kw bu. thermocouple support	Br. 2.7 kw support thermocouple	Brenner 2.7 kw thermoelementhaler	Quegador 2.7 kw soporte termopar					1
31	36914700	Ass. porta est. cam. f1/1	Outside door	Porte externe	Ausser tÜr	Puerta exterior					1
32	36803900	Controp.camer forno 1/1 s.600	Inside 1/1 oven door s.600	Porte interieur four 1/1 s.600	Innen tÜr 1/1 s.600	Puerta interior horno 1/1 s.600					1
33	36917800	Zo. anteriore l=600 fg1/fe1 s.600	Front base l=600 fg1/fe1 600 r.	Bas. anteriore l=600fg1/fe1 s.600	Bac. vorneblech br=600 fg1/fe1 s.600	Front base l=600 fg1/fe1 600 r.					1
34	22289200	Term. 600 mm x plg/cpg/cucine	Thermocuple 600mm	Thermocuple 600mm	Thermoement 600mm	Termopar 600mm					3