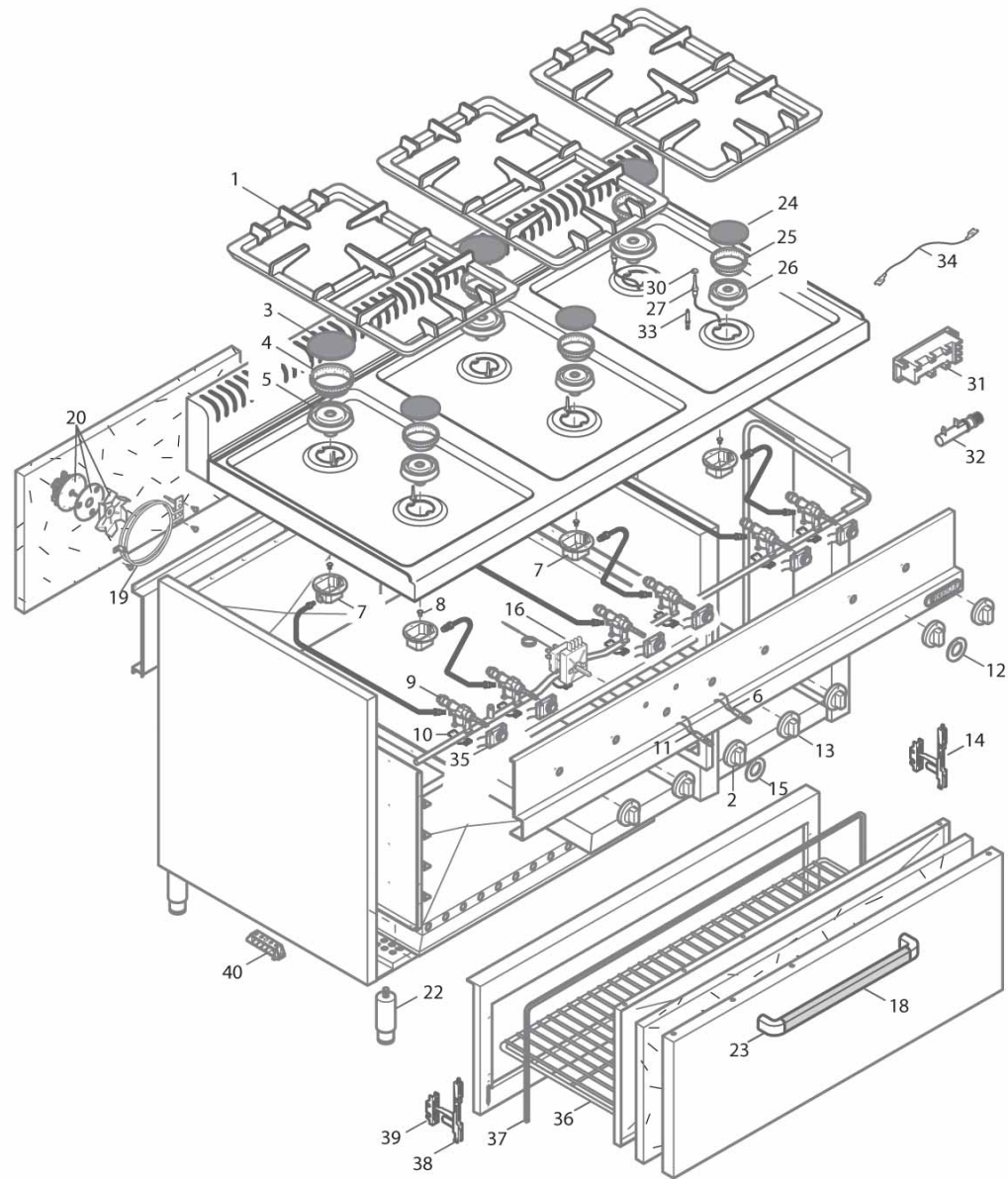




# G6F6+TE





Pos. Item	Codice Code	Descrizione	Item Description	Designation articles	Artikelbeschreibung	Decripción artículos	N° pezzi - No. pieces					
1	36856700	Griglia nero 2f s.600	Enamelled grill	Grille ÉmailÉe	Emailierter rost	Parrilla esmaltada						3
2	35877300	Man. rossa p. 6x4,6 a 180°ral3000	Red knob p. 6x4,6 a 180°ral3000	Ma. rouge p. 6x4,6 a 180°ral3000	Drehknopf p. 6x4,6 a 180°ral3000	Mando rojo p. 6x4,6 a 180°ral3000						1
2	35876300	Manopola rossa p. 6x4,6 a 180°	Red knob 6x4,6 180° c	Manette rouge 6x4,6 180° c	Drehknopf 6x4,6 180° c	Mando rojo 6x4,6 180° c						1
3	31281300	Coperc.bruc.ev.ult.rapid.	Burner cover	Couvercle bruleur	Deckel brenner	Tapa quemador						3
3	00000000	Ricambio mancante	Test	-----	-----	-----						-
4	31280600	Anello spar.bruc.ev.ultra rap.	Burner flame divider ring	Couronne bruleur	Flamm. brenner	Aro repar. quemador						3
5	31280500	Supp.bruc.evoluz. ultra rapido	Burner support	Support bruleur	Brennerhalter	Soporte quemador						3
6	30168500	Spia arancio 230v d.10mm150Ø	Orange lamp 230v	Temoin lumineux orange 230v	Orange kontrollampe 230v	Piloto naranja 230v						1
7	31280100	Coppaxiniettore bruc.evoluz.	Housing for injecteur	Bloc pour injecteur	Becher fur einspritzduse	Copa para injector						6
8	40000000	Ugello: indicare modello e tipo gas	Injector: specify model and gas type	Glicieur: spe. modele et genre de gas	Duese: modell und gas-typ zeigen	Tobera: pre. modelo y tipo de gas						3
9	31275000	Rub. x nuova microcat. by-pass 52	Tap by-pass 52	Robinet by-pass 52	Hahn by-pass 52	Llave de paso by-pass 52						6
10	22966200	Briglia fissaggio rubinetto	Fixing tap clamp	Bride de fixation robinet	Bugel fur hahnbefestigung	Fiador ajuste llave de paso						6
11	30168800	Spia verde 230v d.10mm150Ø	Green lamp 230v	Temoin lumineux vert 230v	Grune kontrollampe 230v	Piloto verde 230v						1
12	31952000	Serig.rossa manop.gas evoluz.	Red gas knob serigraphy	Serigraphie manette rouge	Drehknopfserigraphie	Serigrafia mando rojo						6
13	35877000	Man. rossa p.8x6,5 a 0° ral3000	Red knob p.8x6,5 0° ral3000	Manette rouge p.8x6,5 a 0° ral3000	Drehknopf p.8x6,5 a 0° ral3000	Mando rojo p.8x6,5 a 0° ral3000						6
13	35875800	Manopola rossa p. 8x6,5 a 0°	Red knob 8x6,5 0°	Manette rouge 8x6,5 0°	Drehknopf 8x6,5 0°	Mando rojo 8x6,5 0°						6
14	22608100	Cerniera dx x fe1/fg1 fcd8-fsd	Right hinge	Charniere droite	Scharnier rechts	Bisagra derecha						1
15	31953500	Serig.rossa manop.frytop/forno	Knob serigraphy	Serigraphie manette	Drehknopfserigraphie	Serigrafia mando						1
16	30064900	Termostato trif.270Ø x fe 2/1	Thermostat 270Ø - fe 2/1	Thermostat 270Ø - fe 2/1	Thermostat 270Ø - fe 2/1	Termostato 270Ø - fe 2/1						1
18	31874000	Maniglia sez.ovale aisi 304 425 x 41	Handle aisi 304 425 x 41	Poignee aisi 304 425 x 41	Griffe aisi 304 425 x 41	Asa aisi 304 425 x 41						1
19	24043000	resistenza 2,6kw multitemensione	2,6kw heating element	Resistance 2,6kw	Widerstand 2,6kw	Resistencia 2,6kw						2
20	23117700	Motoventilatore 230v 50/60 hz.	Electric fan 230v 50/60 hz.	Motoventilateur 230v 50/60 hz.	Motorventilator 230v 50/60 hz.	Motoventilador 230v 50/60 hz.						2
22	24684200	Piedino inox 1 1/2 h-125/175	Foot 1 1/2 h-125/175	Pied 1 1/2 h-125/175	Fuss 1 1/2 h-125/175	Pata 1 1/2 h-125/175						4
23	31979200	Terminale rosso plastica term	Red plastic terminal	Cosse rouge plastique therm.	Roter thermo-kunststoffverschluss	Terminal rojo plastico						2
23	31979000	Terminale crom.lucido plastica term	Chromium-plated terminal	Terminal chromÉ poli	Verchromte grifendverschluss	Terminal cromado lustroso						2
24	31281000	Coperchio bruc.ev.rapido	Burner cover	Couvercle bruleur	Deckel brenner	Tapa quemador						3
24	00000000	Ricambio mancante	Test	-----	-----	-----						-
25	31280300	Anello spar.bruc.evoluz.rapido	Burner flame divider ring	Couronne bruleur	Flamm.brenner	Aro repar. quemador						3
26	31280200	Supp. bruciat. evoluz. rapido	Burner support evol.	Support bruleur evol.	Brennerhalter evol.	Soporte quemador evol.						3
27	31289200	Termocoppia 750 mm cucina e	Thermocouple 750mm	Thermocouple 750mm	Thermoelemnt 750mm	Termopar 750mm						6
30	31807600	Dado x termocoppia e 0814	Nut for thermocouple	Ecrou pour thermocouple	Mutter fur thermoelement	Tuerca para termopar						6
31	31002400	Acc. elet. cand. cucine 6f e	Electric lighter 6f e	Allumeur electric 6f e	Elektro zund. 6f e	Encendido electr. 6f e						-
32	31915000	Portapila x accens. cucine e	Battery holder	Porte-pile	Batterienhalter	Portapila						-
33	31187800	Candel.acc.cuc.el=600 molla	Ignition plug electr. cookers	Bougie d'allumage fourneaux electr.	Zundkerze el=60	Bujia de encendido cocinas electr.						-
34	31189700	Cavetto accensione cucine ev.	Ignition wire for evol. cookers	Cable allumage pour cuisines evol.	Zundkabel evoluzione herde	Cable encendido por cocinas evol.						-
35	31877800	Microcaten. 6f cuc. e	Catenary microswitch 6ring cookers	Micro-interrupteur 6f cuisiniÉres	Mikroschalter 6f kochmulden	Micro catenaria 6f cocinas						-
36	23848400	Grc griglia forno tuttamisura s.600	Oven grill	Grill four	Ofen grill	Parrilla horno						1
37	36594100	Guarnizione forno t/te s.600	Oven door seal t/te s.600	Joint complet four t/te s.600	Komplette tÜrdichtung t/te s.600	Junta puerto horno t/te s.600						1
38	22608100	Cerniera dx x fe1/fg1 fcd8-fsd	Right hinge	Charniere droite	Scharnier rechts	Bisagra derecha						1
39	22608200	Cern.fissa portarullino fe1fg1	Fixed hinge	Charniere fixe	Festes scharnier	Bisagra fija						2



# G6F6+TE

Pos. Item	Codice Code	Descrizione	Item Description	Designation articles	Artikelbeschreibung	Decripción artículos	N° pezzi - No. pieces					
40	30184200	Morsettiera a 6 poli fv 122 b (lau 10)	Terminal board 6 poles	Bornier 6 poles	Klemmenleiste	Bornera 6 polos						G6F6+TE
												1