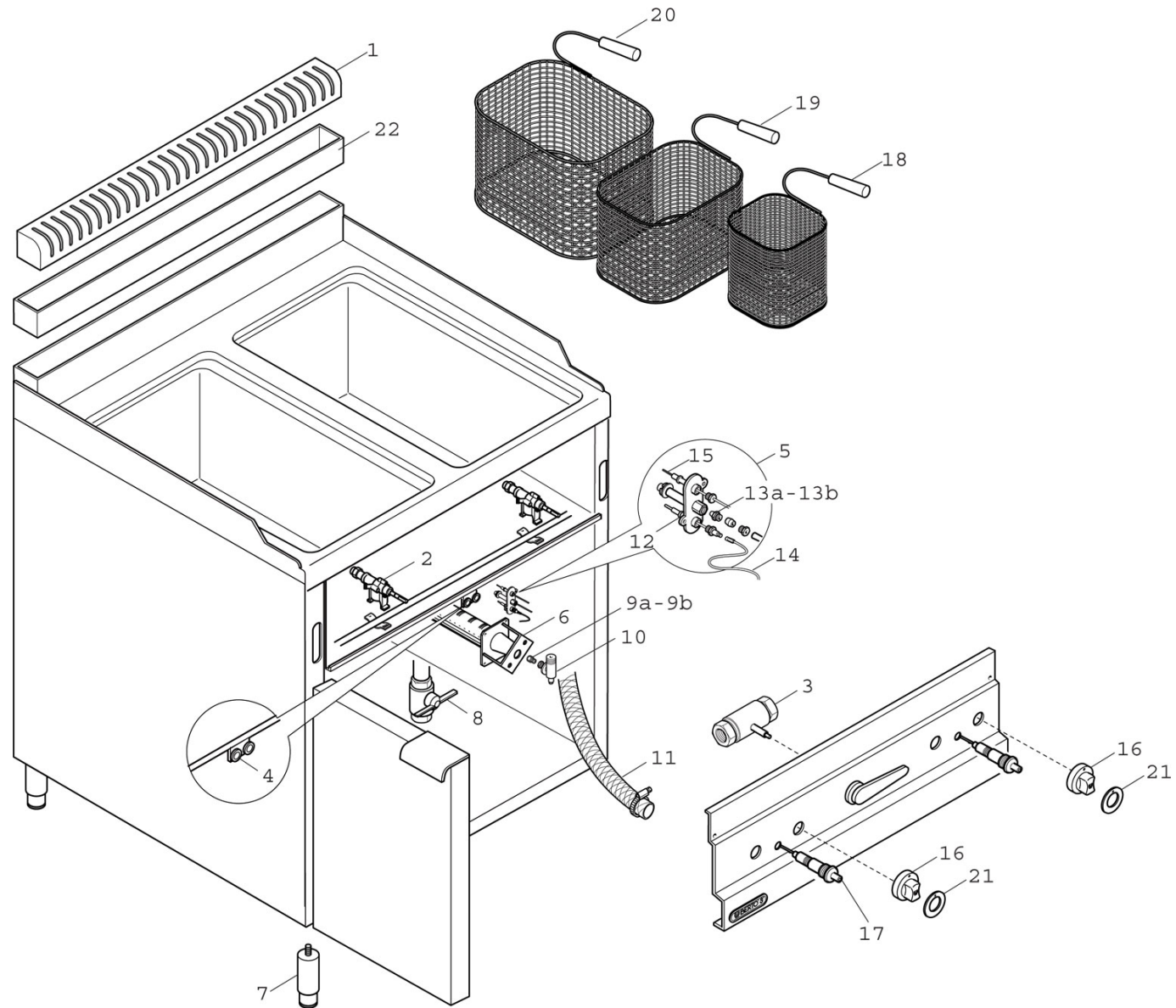




SG9CP40





SG9CP40

| Pos. Item | Codice Code | Descrizione | Item Description | Designation articles | Artikelbeschreibung | Decripción artículos | N° pezzi - No. pieces | | | | | |
|-----------|-------------|---------------------------------------|--------------------------------------|--------------------------------------|-------------------------------------|-------------------------------------|-----------------------|--|--|--|--|---------|
| | | | | | | | | | | | | |
| | | | | | | | | | | | | SG9CP40 |
| 1 | 38856900 | Griglietta scarico fumi l=350 | Cover grill for chimney l=350 | Grille pour cheminee l=350 | Entleerung rauch rost l=350 | Rejilla por chimenea l=350 | | | | | | 1 |
| 2 | 31273700 | Rubinetto pel21s;9x1;bypas100 | Cock pel 21/s | Robinet pel 21/s | Hahn pel 21/s | Llave pel 21s | | | | | | 1 |
| 3 | 31686800 | Valvola sfera man. ghiera 1/2 f-f | Water inlet valve | Soupape entree d'eau | Wasser-einlassventil | Valvula de bola | | | | | | 1 |
| 4 | 32583800 | Chiusura magnetica | Magnetic closure | Fermeture magnetique | Magnetverschluss | Cierre magnetico | | | | | | 1 |
| 5 | 27291100 | Pilota (0160) | Pilot | Veilleuse | Zundflamme | Piloto | | | | | | 1 |
| 6 | 35278800 | Bruciat. cuocipasta g9cp40/80 | Burner for g9cp40/80 | Bruleur pour g9cp40/80 | Brenner fUr g9cp40/80 | Quemador por g9cp40/80 | | | | | | 1 |
| 7 | 24685000 | Piedino inox 2'h125/175 | Inox foot 2'h125/175 | Pied inox 2'h125/175 | Fuss inox 2'h125/175 | Pata inox 2'h125/175 | | | | | | 4 |
| 8 | 35686300 | Rubin. scarico da 1 | 1" outlet tap - g9cp40/80 | Robinet de vidange 1" - g9cp40/80 | Abflusshahn 1" - g9cp40/80 | Grifo de descarga 1" - g9cp40/80 | | | | | | 1 |
| 9A | 40000000 | Ugello: indicare modello e tipo gas | Injector: specify model and gas type | Gliceur: spe. modele et genre de gas | Duese: modell und gas-typ zeigen | Tobera: pre. modello y tipo de gas | | | | | | 1 |
| 9B | 40000000 | Ugello: indicare modello e tipo gas | Injector: specify model and gas type | Gliceur: spe. modele et genre de gas | Duese: modell und gas-typ zeigen | Tobera: pre. modello y tipo de gas | | | | | | 1 |
| 10 | 32327600 | Portaugello gl-plg-cpg-cucine | Injector holder | Support injecteur | Dusenhalter | Soporte de tobera | | | | | | 1 |
| 11 | 35987700 | Tube gomma scarico vasca | Water inlet pipe | Tube d'eau | Wasserzulaufrohr | Tube cargo agua | | | | | | 1 |
| 12 | 22289200 | Term. 600 mm x plg/cpg/cucine | Thermocouple 600mm | Thermocouple 600mm | Thermoelement 600mm | Termopar 600mm | | | | | | 1 |
| 13B | 40000000 | Ugello: indicare modello e tipo gas | Injector: specify model and gas type | Gliceur: spe. modele et genre de gas | Duese: modell und gas-typ zeigen | Tobera: pre. modello y tipo de gas | | | | | | 1 |
| 13A | 40000000 | Ugello: indicare modello e tipo gas | Injector: specify model and gas type | Gliceur: spe. modele et genre de gas | Duese: modell und gas-typ zeigen | Tobera: pre. modello y tipo de gas | | | | | | 1 |
| 14 | 22189200 | Cavo acce. piezo faston occhiello d4 | Piezo ignition cable | Cable allumage piezo | Piezozundungskabel | Cable encendido piezo | | | | | | 1 |
| 15 | 22296900 | Candeletta acc. gl/cpg/plg/fry-top/tp | Ignition plug gl/cpg/plg/fry-top/tp | Bo. allumage gl/cpg/plg/fry-top/tp | Kl. zundkerze gl/cpg/plg/fry-top/tp | Bujia de enc. gl/cpg/plg/fry-top/tp | | | | | | 1 |
| 16 | 38877100 | Manopola pa66 p.6x4.6 a '90° | Knob pa66 p.6x4.6 a '90° | Manette pa66 p.6x4.6 a '90° | Drehknopf pa66 p.6x4.6 a '90° | Mando pa66 p.6x4.6 a '90° | | | | | | 1 |
| 16 | 35877100 | Man. rossa p. 8x6,5 a 180°ral3000 | Red knob p. 8x6,5 a 180°ral3000 | Ma. rouge p. 8x6,5 a 180°ral3000 | Drehknopf p. 8x6,5 a 180°ral3000 | Mando rojo p. 8x6,5 a 180°ral3000 | | | | | | 1 |
| 16B | 35880200 | Molla sottomanopola | Spring for sub-knob | Ressort sous-manette | Unterknopf feder | Muelle sub-mando | | | | | | 1 |
| 16A | 35954800 | Sottomanopola rossa attr.gas | Red sub-knob gas equipment | Sous-manette rouge equip.gas | Rote unterknopf gaseinricht. | Sub-mando rojo equipos gas | | | | | | 1 |
| 17B | 32188500 | Disco fiss.cappuccio piezo s.6/7/900 | Fixing disc for piezo cap | Disque de fixage protection du piezo | Festscheibe zundkappe | Fixing disc for piezo cap | | | | | | 1 |
| 17A | 32188400 | Cappuccio piezo | Cap for piezo | Protection pour piezo | Piezozundung kappe | Proteccion por piezo | | | | | | 1 |
| 17 | 32188200 | Piezoeltrico dado | Piezoelectric ignition nut | Piezo-electrique ecrou | Piezozunder mutter | Piezoelctrico tuerca | | | | | | 1 |
| 18 | 31614900 | Cesto 1/6 120x105x240 h | Basket 1/6 120x105x240 h | Panier 1/6 120x105x240 h | Korb 1/6 120x105x240 h | Cesta 1/6 120x105x240 h | | | | | | 1 |
| 19 | 31614800 | Cesto 250x105mm | Basket 250x105mm | Panier 250x105mm | Korb 250x105mm | Cesta 250x105 mm. | | | | | | 1 |
| 19 | 31613800 | Cesto 1/3 290x105x200 h | Basket 1/3 290x105x200 h | Panier 1/3 290x105x200 h | Korb 1/3 290x105x200 h | Cesta 1/3 290x105x200 h | | | | | | 1 |
| 20 | 31614700 | Cesto 1/1 250x330x240 h | Basket 1/1 250x330x240 h | Panier 1/1 250x330x240 h | Korb 1/1 250x330x240 h | Cesta 1/1 250x330x240 h | | | | | | 1 |
| 21 | 31952200 | Serig.rossa manop.gas plg-cpg- | Red gas knob serigraphy | Serigraphie rouge manette | Rote drehknopfserigraphie | Serigrafia roja mando | | | | | | 1 |
| 22 | 38784400 | Camino esterno l=350 h=200 | Camino esterno l=350 h=200 | Camino esterno l=350 h=200 | Camino esterno l=350 h=200 | Camino esterno l=350 h=200 | | | | | | 1 |