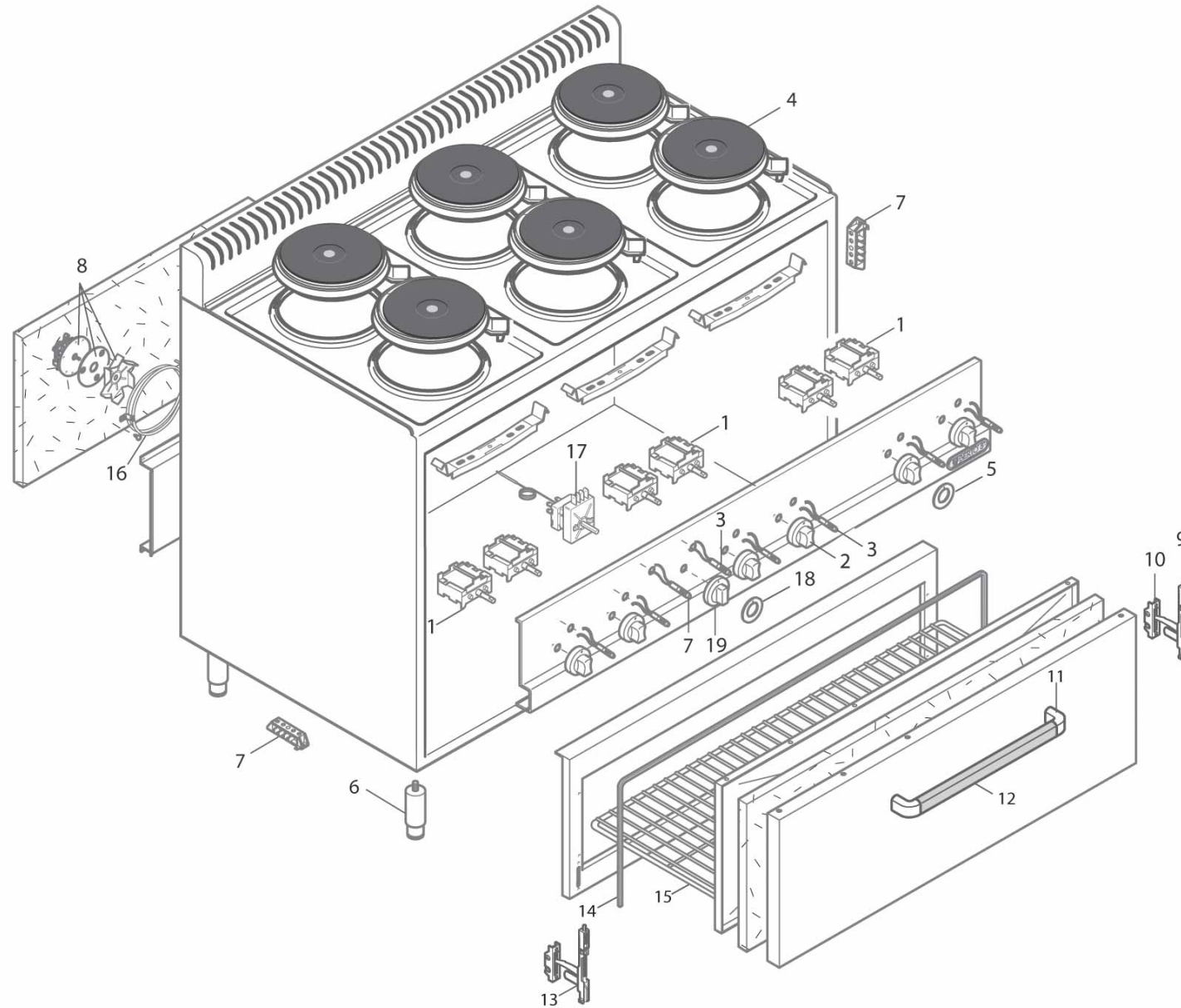




E6P6+TE





E6P6+TE

Pos. Item	Codice Code	Descrizione	Item Description	Designation articles	Artikelbeschreibung	Decripción artículos	N° pezzi - No. pieces						
1	22049900	Commutat. x cuc.piastre el.	Selector	Commutateur	Umschalter	Conmutador							6
2	35876300	Manopola rossa p. 6x4,6 a 180°	Red knob 6x4,6 180° c	Manette rouge 6x4,6 180° c	Drehknopf 6x4,6 180° c	Mando rojo 6x4,6 180° c							7
2	35877300	Man. rossa p. 6x4,6 a 180°ral3000	Red knob p. 6x4,6 a 180°ral3000	Ma. rouge p. 6x4,6 a 180°ral3000	Drehknopf p. 6x4,6 a 180°ral3000	Mando rojo p. 6x4,6 a 180°ral3000							7
3	30168800	Spia verde 230v d.10mmt150Ø	Green lamp 230v	Temoin lumineux vert 230v	Grüne kontrollampe 230v	Piloto verde 230v							7
4	36037500	Piastra tonda d.180 2000w 230v	2000w 230v round plate	Plaque ronde 2000w 230v	Rundplatte 2000w 230v	Planche redonda 2000w 230v							6
5	31952500	Serig.rossa manop.cucina elet.	Electric knob serigraphy	Serigraphie manette electr.	Drehknopfserigraphie	Serigrafia mando electr.							6
6	24684200	Piedino inox 1 1/2 h-125/175	Foot 1 1/2 h-125/175	Pied 1 1/2 h-125/175	Fuss 1 1/2 h-125/175	Pata 1 1/2 h-125/175							4
7	30184200	Morsettiera a 6 poli fv 122 b (lau 10)	Terminal board 6 poles	Bornier 6 poles	Klemmenleiste	Bornera 6 polos							2
8	23117700	Motoventilatore 230v 50/60 hz.	Electric fan 230v 50/60 hz.	Motoventilateur 230v 50/60 hz.	Motorventilator 230v 50/60 hz.	Motoventilador 230v 50/60 hz.							2
9	22608100	Cerniera dx x fe1/fg1 fcd8-fsd	Right hinge	Charniere droite	Scharnier rechts	Bisagra derecha							1
10	22608200	Cern.fissa portarullino fe1fg1	Fixed hinge	Charniere fixe	Festes scharnier	Bisagra fija							2
11	31979000	Terminale crom.lucido plastica term	Chromium-plated terminal	Terminal chromÉ poli	Verchromte grifendverschluss	Terminal cromado lustroso							2
11	31979200	Terminale rosso plastica term	Red plastic terminal	Cosse rouge plastique therm.	Roter thermo-kunststoffverschluss	Terminal rojo plastico							2
12	31874000	Maniglia sez.ovale aisi 304 425 x 41	Handle aisi 304 425 x 41	Poignee aisi 304 425 x 41	Griffe aisi 304 425 x 41	Asa aisi 304 425 x 41							1
13	22607800	Cerniera sx x fe1/fg1 fcd8-fsd8	Left hinge	Charniere gauche	Scharnier links	Bisagra izquierda							1
14	36594100	Guarnizione forno t/te s.600	Oven door seal t/te s.600	Joint complet four t/te s.600	Komplette tÜrdichtung t/te s.600	Junta puerto horno t/te s.600							1
15	23848400	Grc griglia forno tuttamisura s.600	Oven grill	Grill four	Ofen grill	Parrilla horno							1
16	24043000	resistenza 2,6kw multitemensione	2,6kw heating element	Resistance 2,6kw	Widerstand 2,6kw	Resistencia 2,6kw							2
17	22069700	Termostato trif.sicur.fry-top	Security thermostat	Thermostat de surete	Sicherheitthermostat	Termostato de seguridad							1
17	22050300	Interr. quadrip. fry-top/700;	Switch	Interrupteur	Schalter	Interruptor							1
17	30064900	Termostato trif.270Ø x fe 2/1	Thermostat 270Ø - fe 2/1	Thermostat 270Ø - fe 2/1	Thermostat 270Ø - fe 2/1	Termostato 270Ø - fe 2/1							1
18	31953500	Serig.rossa manop.frytop/forno	Knob serigraphy	Serigraphie manette	Drehknopfserigraphie	Serigrafia mando							1
19	30168500	Spia arancio 230v d.10mmt150Ø	Orange lamp 230v	Temoin lumineux orange 230v	Orange kontrollampe 230v	Piloto naranja 230v							1