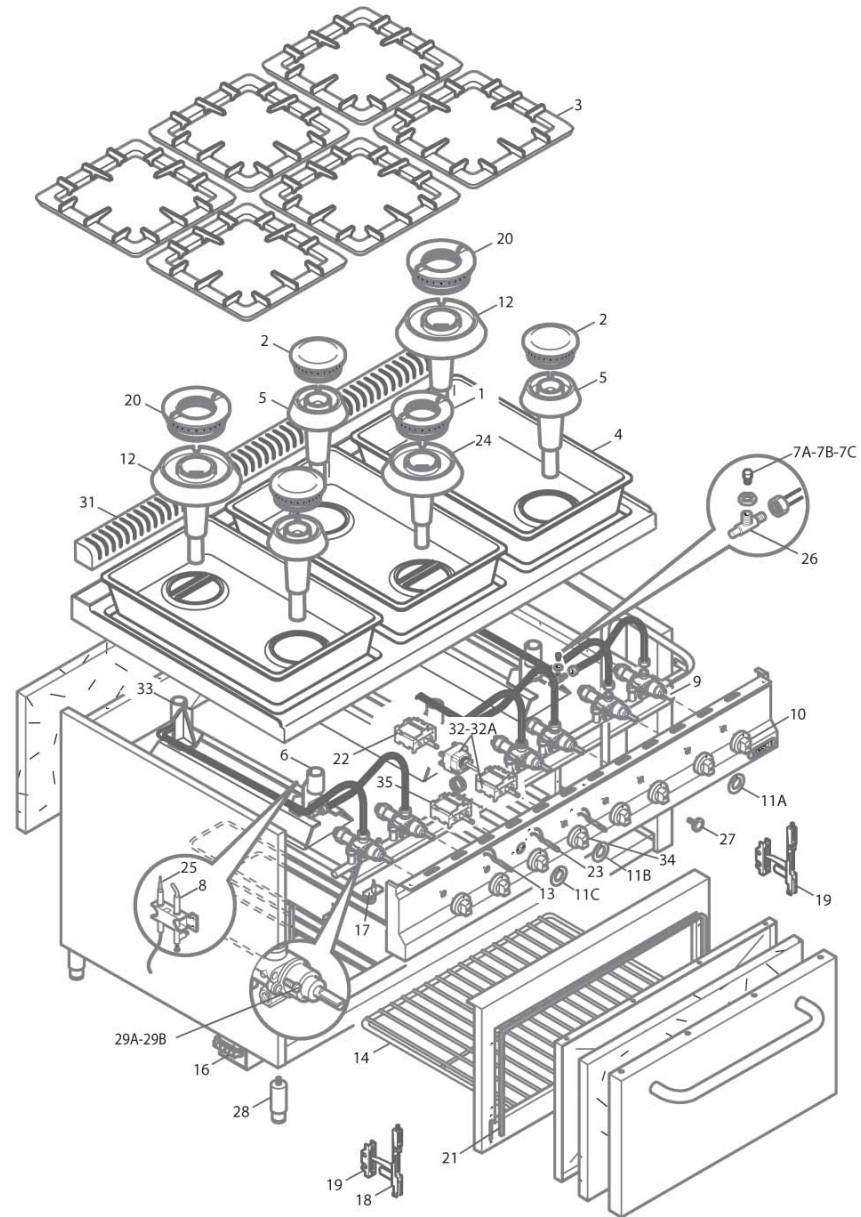




SG9F6+FE





SG9F6+FE

| Pos. Item | Codice Code | Descrizione | Item Description | Designation articles | Artikelbeschreibung | Decripción artículos | N° pezzi - No. pieces | | | | | |
|-----------|-------------|--------------------------------------|--------------------------------------|--------------------------------------|--|-----------------------------------|-----------------------|--|--|--|--|---|
| | | | | | | | | | | | | |
| 1 | 31954300 | Spartif.bruc.d 6kw cromato | 6kw burner cap | Chapeau bruleur 6kw | Flammenkranz 6kw | Sombrerete 6kw | | | | | | 1 |
| 2 | 31954400 | Spartif.bruc.c 3,5kw cromato | 3,5kw burner cap | Chapeau bruleur 3,5kw | Flammenkranz 3,5kw | Sombrerete 3,5kw | | | | | | 1 |
| 3 | 38856500 | Griglia rough nero serie 's' | Black rough grill serie 's' | Grille rough noire serie 's' | rough rost serie 's' | Parrilla negra rough serie 's' | | | | | | 6 |
| 4 | 35779300 | Bacinella inox sp.15/10 high power | Inox trays th.15/10 high power | Couvette inox 15/10 high power | Edelst. gesamtheit sp.15/10 high power | Cubeta inox esp.15/10 high power | | | | | | 3 |
| 5 | 31807200 | Corpo bruc.c 3,5kw cromato | Chromium-plated bu. body 3,5kw | Corps bruleur chrome 3,5kw | Brenner koerper 3,5kw verchromt | Cuerpo quemador cromado 3,5 kw | | | | | | 1 |
| 6 | 31913600 | Supp. bruciatore c/d cucina | Burner support | Support bruleur | Brennerhalter | Soporte quemador | | | | | | 3 |
| 7C | 40000000 | Ugello: indicare modello e tipo gas | Injector: specify model and gas type | Gliceur: spe. modele et genre de gas | Duese: modell und gas-typ zeigen | Tobera: pre. modelo y tipo de gas | | | | | | 1 |
| 7B | 40000000 | Ugello: indicare modello e tipo gas | Injector: specify model and gas type | Gliceur: spe. modele et genre de gas | Duese: modell und gas-typ zeigen | Tobera: pre. modelo y tipo de gas | | | | | | 1 |
| 7A | 40000000 | Ugello: indicare modello e tipo gas | Injector: specify model and gas type | Gliceur: spe. modele et genre de gas | Duese: modell und gas-typ zeigen | Tobera: pre. modelo y tipo de gas | | | | | | 1 |
| 8 | 31291300 | Pilota cuc.700 (2 posit.) | Cooker pilot (2 posit.) | Veilleuse forneau (2 posit.) | Herd zundflamme | Piloto cocina (2 posit.) | | | | | | 6 |
| 9 | 31273700 | Rubinetto pel21s;9x1;bypas100 | Cock pel 21/s | Robinet pel 21/s | Hahn pel 21/s | Llave pel 21/s | | | | | | 6 |
| 10 | 35954900 | Sottomanopola rossa attr. el. | Sottomanopola rossa attr. el. | Sottomanopola rossa attr. el. | Sottomanopola rossa attr. el. | Sottomanopola rossa attr. el. | | | | | | 8 |
| 11A | 31952200 | Serig.rossa manop.gas plg-cpg- | Red gas knob serigraphy | Serigraphie rouge manette | Rote drehknopfserigraphie | Serigrafia roja mando | | | | | | 6 |
| 11B | 31953500 | Serig.rossa manop.frytop/forno | Knob serigraphy | Serigraphie manette | Drehknopfserigraphie | Serigrafia mando | | | | | | 1 |
| 11C | 31952600 | Serig.rossa manop.forno el.mul | Electric knob serigraphy | Serigraphie manette electr. | Drehknopfserigraphie | Serigrafia mando electr. | | | | | | 1 |
| 12 | 35807000 | Corpo bruciat. cromato 9kw | 9kw burner body | Corps bruleur 9kw | Korper brenner 9kw | Cuerpo quemador 9kw | | | | | | 3 |
| 13 | 30168800 | Spia verde 230v d.10mmt150Ø | Green lamp 230v | Temoin lumineux vert 230v | Grune kontrollampe 230v | Piloto verde 230v | | | | | | 1 |
| 14 | 31856800 | Grc 2/1 gn - gr. forno cuc.s.700/900 | Grc 2/1 gn-cooker oven grill | Grc 2/1 gn-grille four | Grc 2/1 gn- backofen-rost s.700/900 | Grc 2/1 gn-parrilla horno | | | | | | 1 |
| 15 | 31802100 | Cerniera sx forno cucine | left oven hinge | Charniere gauche four | Linksseitiges scharnier | Bisagra izda. horno | | | | | | 1 |
| 16 | 30183800 | Morsettiera a 3 poli fv 110 b | Terminal board 3 poles | Bornier 3 poles | Klemmenleiste | Bornera 3 polos | | | | | | 1 |
| 17 | 31320400 | Resistenza inferiore 1500w 240v | 1500w 240v lower heating element | RÉsistance infÉrieure 1500w 240v | Unteres widerstand 1500w 240v | Resistencia inferior 1500w 240v | | | | | | 3 |
| 17 | 31320000 | Resistenza superiore 990w 240v | 990w 240v higher heating element | RÉsistance superieur 990w 240v | Oberer widerstand 990w 240v | Resistencia superior 990w 240v | | | | | | 3 |
| 18 | 31802000 | Cerniera dx forno cucine | Right oven hinge | Charniere droite four | Rechtsseitiges scharnier | Bisagra derecha horno | | | | | | 1 |
| 19 | 31802500 | Portarullino cerniera forno | Roller-bearing oven hinge | Porte-rouleau charniere four | Rolle. scharniere fuer backofens tuer | Soporte rodillo bisagra horno | | | | | | 2 |
| 20 | 35954300 | Spartif.bruc.e 9kw cromato | 9kw burner cap | Chapeau bruleur 9kw | Flammenkranz brenner 9kw | Sombrerete quemador 9kw | | | | | | 3 |
| 22 | 22069700 | Termostato trif.sicur.fry-top | Security thermostat | Thermostat de surete | Sicherheitthermostat | Termostato de seguridad | | | | | | 1 |
| 23 | 30168500 | Spia arancio 230v d.10mmt150Ø | Orange lamp 230v | Temoin lumineux orange 230v | Orange kontrollampe 230v | Piloto naranja 230v | | | | | | 1 |
| 24 | 31807000 | Corpo bruc.d 6kw cromato | Chromium-plated burner body 6kw | Corps bruleur chrome 6kw | Brenner koerper 6kw verchromt | Cuerpo quemador cromado 6kw | | | | | | 2 |
| 25 | 22289200 | Term. 600 mm x plg/cpg/cucine | Thermocuple 600mm | Thermocuple 600mm | Thermoelement 600mm | Termopar 600mm | | | | | | 6 |
| 26 | 32327600 | Portaugello gl-plg-cpg-cucine | Injector holder | Support injecteur | Dusenhalter | Soporte de tobera | | | | | | 6 |
| 27 | 32583800 | Chiusura magnetica | Magnetic closure | Fermeture magnetique | Megnetverschluss | Cierre magnetico | | | | | | 1 |
| 28 | 24684200 | Piedino inox 1 1/2 h-125/175 | Foot 1 1/2 h-125/175 | Pied 1 1/2 h-125/175 | Fuss 1 1/2 h-125/175 | Pata 1 1/2 h-125/175 | | | | | | 4 |
| 29B | 22783500 | By-pass 45 x rubin. pel20/21s | By-pass 45 for tap pel20/21s | By-pass 45 pour robinet pel20/21s | By-pass 45 fur hahn pel20/21s | By-pass 45 para pel20/21s | | | | | | 1 |
| 29A | 22783600 | By-pass 55 x rubin. pel20/21s | By-pass 55 for tap pel20/21s | By-pass 55 pour robinet pel20/21s | By-pass 55 fur hahn pel20/21s | By-pass 55 para pel20/21s | | | | | | 5 |
| 31 | 38857000 | Griglietta scarico fumi l=540 | Cover grill for chimney l=540 | Grille pour cheminee l=540 | Entleerung rauch rost l=540 | Rejilla por chimenea l=540 | | | | | | 1 |
| 32A | 22049800 | Comm. per fe 2/1-cpe40/e9cp40 | Selector - cpe40/e9cp40 | Commutateur - cpe40/e9cp40 | Umschalter - cpe40/e9cp40 | Conmutador - cpe40/e9cp40 | | | | | | 1 |
| 32 | 30064900 | Termostato trif.270Ø x fe 2/1 | Thermostat 270Ø - fe 2/1 | Thermostat 270Ø - fe 2/1 | Thermostat 270Ø - fe 2/1 | Termostato 270Ø - fe 2/1 | | | | | | 1 |
| 33 | 35913600 | Supp. bruc. e 9kw cucina | 9kw burner support | Support bruleur 9kw | Brennerhalter 9kw | Soporte quemador 9kw | | | | | | 3 |
| 35 | 22049800 | Comm. per fe 2/1-cpe40/e9cp40 | Selector - cpe40/e9cp40 | Commutateur - cpe40/e9cp40 | Umschalter - cpe40/e9cp40 | Conmutador - cpe40/e9cp40 | | | | | | 1 |